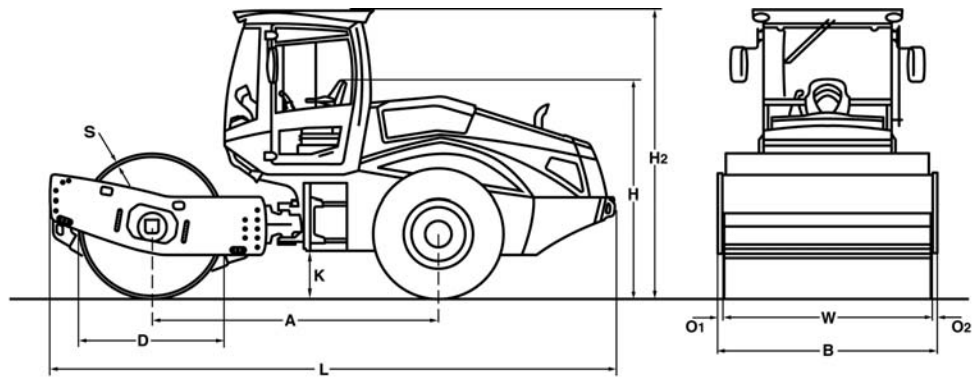


# TECHNICAL DATA

SINGLE DRUM ROLLERS

BW 213 D-5, BW 213 DH-5, BW 213 PDH-5





**Dimensions in in**

	<b>A</b>	<b>B</b>	<b>D</b>	<b>H</b>	<b>H2</b>	<b>K</b>	<b>L</b>	<b>O1</b>	<b>O2</b>	<b>S</b>	<b>W</b>
<b>BW 213 D-5</b>	117.1	89.4	59.1	88.6	117.7	19.3	231.1	2.8	2.8	1.2	83.9
<b>BW 213 DH-5</b>	117.1	89.4	59.1	88.6	117.7	19.3	231.1	2.8	2.8	1.2	83.9
<b>BW 213 PDH-5</b>	117.1	89.4	58.3	88.6	117.7	19.3	231.1	2.8	2.8	1.0	83.9

**Shipping dimensions in cub.yd**

**BW 213 D-5**  
**BW 213 DH-5**  
**BW 213 PDH-5**

**without ROPS**

39.228  
 39.228  
 39.228

**with ROPS**

52.112  
 52.112  
 52.112

<b>Machine type</b>	<b>Compaction output (cub.yd/h)</b>			
	<b>Rock fill</b>	<b>Gravel, sand</b>	<b>Mixed soil</b>	<b>Silt, clay</b>
BW 213 D-5	614.7-1,229.5	392.4-784.8	313.9-627.8	157.0-313.9
BW 213 DH-5	693.2-1,386.4	470.9-941.7	353.1-706.3	235.4-470.9
BW 213 PDH-5	693.2-1,386.4	470.9-941.7	353.1-706.3	274.7-549.3

<b>Machine type</b>	<b>Compacted layer thickness (in)</b>			
	<b>Rock fill</b>	<b>Gravel, sand</b>	<b>Mixed soil</b>	<b>Silt, clay</b>
BW 213 D-5	31.5	19.7	15.7	7.9
BW 213 DH-5	31.5	19.7	15.7	9.8
BW 213 PDH-5	35.4	23.6	19.7	11.8

**Technical Data****BOMAG  
BW 213 D-5****BOMAG  
BW 213 DH-5****BOMAG  
BW 213 PDH-5****Weights**

Grossweight .....	lb	32,629	34,547	32,496
Operating weight CECE w. ROPS-cabin .....	lb	27,580	28,043	30,490
Axle load, drum CECE .....	lb	16,535	16,667	19,114
Axle load, wheels CECE .....	lb	11,045	11,376	11,376
Static linear load CECE .....	lb/in	197.2	198.8	

**Dimensions**

Working width .....	in	83.9	83.9	83.9
Track radius, inner .....	in	144.9	144.9	144.9

**Driving Characteristics**

Speed (1) .....	mph	0- 3.1		
Speed (2) .....	mph	0- 3.7		
Speed (3) .....	mph	0- 5.0		
Speed (4) .....	mph	0- 6.8		
Speed .....	mph		0- 7.5	0- 7.5
Max. gradeability without/with vibr. ....	%	45/43	60/57	62/60

**Drive**

Engine manufacturer .....		Deutz	Deutz	Deutz
Type .....		TCD 3.6 L4	TCD 4.1	TCD 4.1
Emission stage .....		4/4	4/4	4/4
Cooling .....		Liquid	Liquid	Liquid
Number of cylinders .....		4	4	4
Performance ISO 3046 .....	hp	127.4	154.2	154.2
Performance SAE J 1995 .....	hp	128.0	155.0	155.0
Speed .....	min-1	2,000	2,100	2,100
Fuel .....		diesel	diesel	diesel
Electric equipment .....	V	12	12	12
Drive system .....		hydrost.	hydrost.	hydrost.
Drum driven .....		standard	standard	standard

**Drums and Tyres**

Number of pad feet .....				150
Area of one pad foot .....	sq.in			21.2
Height of pad feet .....	in			3.9
Tyre size .....		23.1-26 12PR	23.1-26 12PR	23.1-26 12PR

**Brakes**

Service brake .....		hydrost.	hydrost.	hydrost.
Parking brake .....		hydromec.	hydromec.	hydromec.

**Steering**

Steering system .....		oscil.artic.	oscil.artic.	oscil.artic.
Steering method .....		hydrost.	hydrost.	hydrost.
Steering / oscillating angle +/- .....	deg	35/12.0	35/12.0	35/12.0

**Exciter system**

Drive system .....		hydrost.	hydrost.	hydrost.
Frequency .....	vpm	1,800/2,040	1,800/2,040	1,800/2,040
Amplitude .....	in	0.083/0.043	0.083/0.043	0.067/0.035
Centrifugal force .....	lb	64,071/44,063	64,071/44,063	64,071/43,613
Centrifugal force .....	t	29.1/20.0	29.1/20.0	29.1/19.8

**Capacities**

Fuel .....	gal	66.0	66.0	66.0
------------	-----	------	------	------

Technical modifications reserved. Machines may be shown with options.

### Standard Equipment

- BOMAG ECOMODE
- Warning, information and operation displays with LCD
- Noise insulation
- Hydrostatic travel and vibration drive
- Hydrostatic articulated steering
- Articulated joint lock
- Rear axle with twin spring accumulator brakes
- No-Spin differential lock
- Warning horn
- Single lever control for travel and vibration
- Seat with arm rest and adj. for position and height
- 2 Scrapers
- Emergency STOP
- Back-up alarm
- Working lights front / rear
- Double pump system for travel drive (DH/PDH)
- Tractor tires (PD)
- Loading mode
- Sliding window
- Battery disconnect switch

### Optional Equipment

- \* ROPS/FOPS cabin with seat belts
  - Sliding window
- ROPS/FOPS with safety belt
- Air condition
- Rearview camera
- TERRAMETER
- BOMAG ECOSTOP
- BOMAG TELEMATIC POWER
- Padfoot segment kit (D/DH)
- Radio (Bluetooth)
- Indicator and hazard lights
- BCM 05 Documentation system
- Special painting
- Rotary beacon
- Pre start cabin heating
- Environmentally compliant hydraulic oil
- Comfort package: Adjustable seat and adjustable steering column

\* Standard delivery with CE conformity  
(valid within European Union)

