

MANISCOPIC

MT 1235
S & ST



- Maximum lifting height : 12 m
- Capacity : 3500 kg
- Maximum forward reach : 8.36 m
- Torque convertor
- Hydraulic stabilizers

 **MANITOU**

MT 1235 S/ST

Lifting capacity3500 kg
 at 500 mm from forks heels.
 Tipping load at maximum reach :1460 kg
 Tear out force with bucket
 to ISO 83137000 daN

Lifting height :12 m
Times : unladen / loaded (in s)
 Lifting10.8/11.2
 Lowering7.3/7
 Simultaneous extension 1st and 2nd booms...22.6/22.9
 Simultaneous retraction 1st and 2nd booms...17.4/16.7
 Time unladen (in s)
 Crowd.....4.3
 Dump3.4

Tyres
 400/80 -24 TL 156 B

Forks (mm)
 Length1200
 Width x thickness125 X 45
 Maximum distance between forks1040
 Carriage rotation124°

Multidisc brakes - hydraulically assisted on both axles

PERKINS Engine
 Type1104D-44T/1104D-44TA
 Capacity4 cylindres - 4400 cm³
 Power (ISO/TR 14396) S :70 kW/95 HP
 at 2200 rpm ST :74.5 kW/101 HP
 Maximum torque S :392 Nm at 1400 rpm
 ST :410 Nm at 1400 rpm
 Direct Injection
 Water Cooling

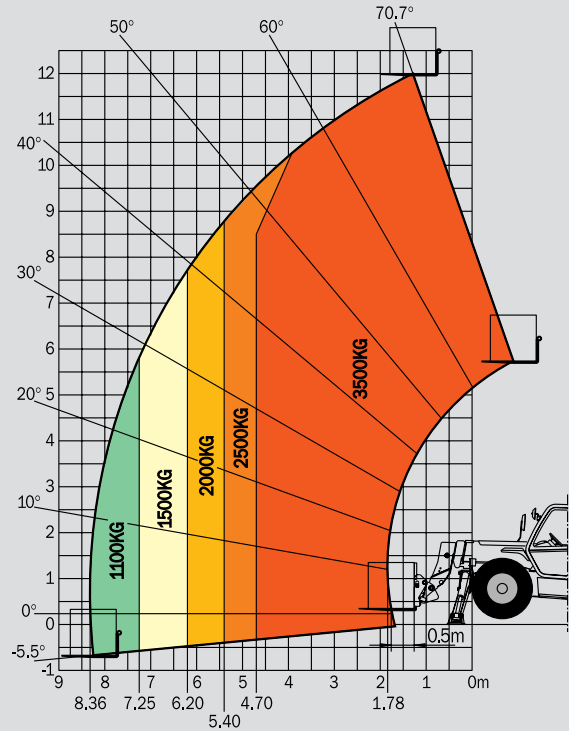
Transmission.....Torque convertor
 Electro-hydraulic reversing shift
 4 speeds forward and reverse
 Maximum travel speed25 km/h

Hydraulics
 Lifting/tilting pump
 gear type:260 bars/105 l/mn
 Flow divider with priority to steering and brakes

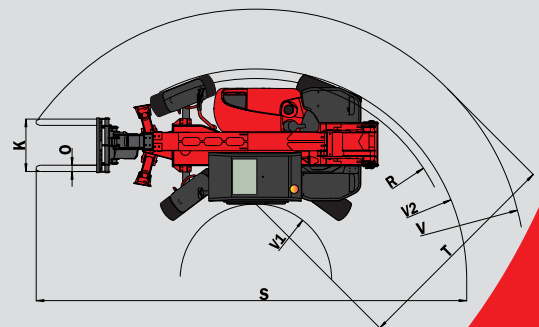
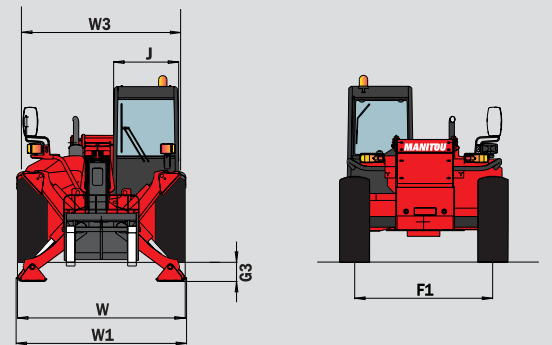
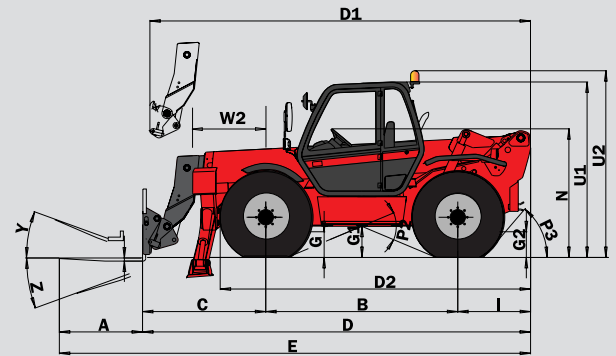
Capacities
 Cooling system.....18.5 l.
 Engine oil10.5 l. (Turbo 11 l.)
 Hydraulic oil.....120 l.
 Transmission oil16 l.
 Fuel tank.....135 l.

Weight unladen (with forks)8960 kg
Overall width2.40 m
Overall height2.57 m
Turning radius (outside wheels)4.15 m
Overall length5.59 m
Ground clearance.....0.45 m
Drawbar pull7500/8600 daN

Reach at maximum height : 1.5 m



A	1200
B	2770
C	1770
C1	1850
D	5590
D1	5670
D2	4405
E	6790
F	1990
F1	1990
G	450
G1	445
G2	450
G3	275
I	1050
J	950
K	1040
L	45
N	1850
O	125
P2	43,5°
P3	40°
R	3950
S	8513
T	3920
U1	2575
U2	2755
V	5390
V1	1470
V2	4158
W	2405
W1	2320
W2	1125
W3	2035
Y	12°
Z	112°



This publication in no way constitutes an offer and the company reserves the right to alter specification without prior notice.
 The MANITOU models presented in this brochure can be supplied complete with optional equipment attachments.
 PATENTS FR 93 14367 - EP 0 656 315 US PENDING

